



EG4® 12k Mini-Split

12000BTU Air Conditioner/Heat Pump

**Plug-n-Cool
Do-It-Yourself**

**New SEER2 Rating:
28.5**

**5-Year Limited
Warranty**

New Plug-n-Cool Technology

Easy Do-It-Yourself Installation

Allows for quick and easy refrigerant line-set connection via the quick-connect self-closing companion valves without special tools, equipment, or training. No need to pull a vacuum.

Latest & Greatest Efficiency Rating

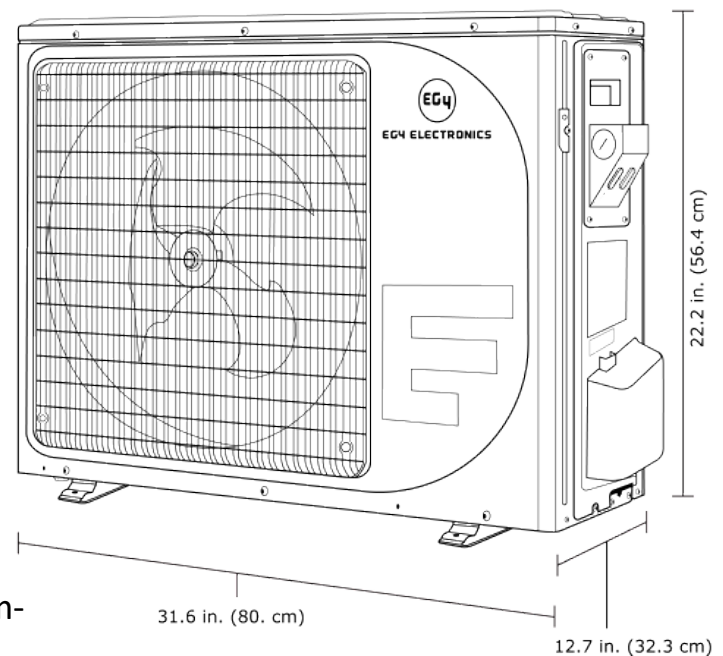
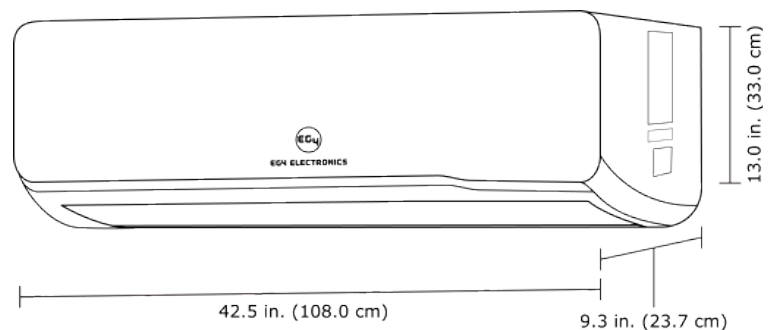
New SEER2 Rating: 28.5

Go above and beyond the norms of other efficient mini-split systems while maintaining maximum performance, safety, and reliability.

Over 12000BTU of Heating & Cooling Capacity

Heat & Cool up to 650 Square Feet

Get sophisticated air conditioning in medium-sized rooms.





EG4® 12k Mini-Split

12000BTU Air Conditioner/Heat Pump

| Electrical Specifications | |
|--|---------------------|
| Rated Voltage | Single-Phase 115VAC |
| Rated Current | 8.35A |
| Frequency | 60Hz |
| Minimum Circuit Ampacity | 19.05A |
| Maximum Fuse Size | 20A |
| Maximum Starting Current | 4A |
| Rated Cooling | |
| Nominal Capacity | 12,000 BTU/h |
| Capacity Range | 3,000-13,000 BTU/h |
| Input Power | 190-1050W |
| Rated Current | 8.45A |
| EER | 12.5 |
| SEER2 | 28.5 |
| Rated Heating | |
| Nominal Capacity | 12,000 BTU/h |
| Capacity Range | 3,000-13,000 BTU/h |
| Input Power | 190-1050W |
| Rated Current | 7.47A |
| COP | 14.12 Btu/W |
| Heating Seasonal Performance Factor (HSPF) | 12.7 |
| HSPF2 | 11.3 |
| System Data | |
| Design Pressure [PSI Gauge (PSIG)] | <651 |
| Refrigerant | R410A/45.86 oz. |
| Refrigerant Pre-charge | 16.4 ft. |
| Additional charge per ft | 0.2 oz. |
| Liquid valve | 0.25 in. (6.35mm) |
| Gas valve | 0.5 in. (12.7mm) |
| Max refrigerant pipe length | 49 ft. |
| Max difference in level | 26 ft. |



EG4® 12k Mini-Split

12000BTU Air Conditioner/Heat Pump

| Compressor Specifications | |
|--|-------------------------------|
| Type | 2×Rotary |
| Input Power | 190-1050W |
| Rated Load Amperage (RLA) | 3.6A |
| Indoor Unit Data | |
| Rated Load Amperage (RLA) | 0.48A |
| Speed (Turbo/5/4/3/2/1block) | 900/850/800/750/700/680 r/min |
| Air Flow (Turbo/5/4/3/2/1block) | 442/410/380/350/320/305 CFM |
| Sound Pressure (Turbo/5/4/3/2/1block) | 37/36/35/34/33/32 dB(A) |
| Moisture Removal | 2.65 pt/hr |
| Indoor Unit Dimensions | |
| Unit Dimension (W×D×H) | 42.51×9.33×12.99 in |
| Packaging (W×D×H) | 44.88×11.81×14.25 in. |
| Net/Gross weight | 33.07/38.58 lbs. |
| Outdoor Unit Data | |
| Rated Load Amperage (RLA) | 0.42A |
| Speed (Hi/Med/Lo) | 800 r/min |
| Air Flow (Hi/Med/Lo) | 1060 CFM |
| Sound Pressure (Hi/Med/Lo) | 52 dB(A) |
| Outdoor Unit Dimensions | |
| Unit Dimension (W×D×H) | 31.57×12.72×22.2 in. |
| Packaging (W×D×H) | 35.83×15.94×24.49 in. |
| Net/Gross weight | 70.55/79.37 lbs. |
| Operation Temperature | |
| Indoor (cooling/heating) | 61-90/32-90 °F |
| Outdoor (cooling/heating) | 32-131/5-86 °F |
| Accessories | |
| Control | Remote |
| Connection Cable | 18AWG (4 Stranded) |
| Installation Copper Kit | 16.4 ft. |
| Warranty | |
| Limited Warranty | 5* year limited warranty |
| *See EG4® Warranty Registration for terms and conditions | |



Globally Recognized. Industry Respected.